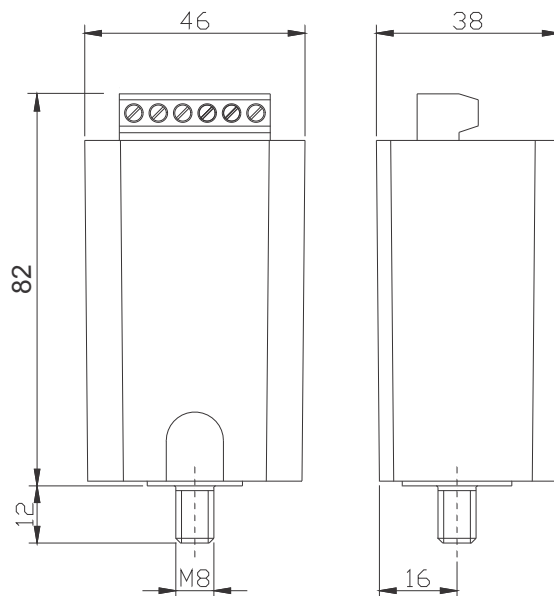


ZRM U6L

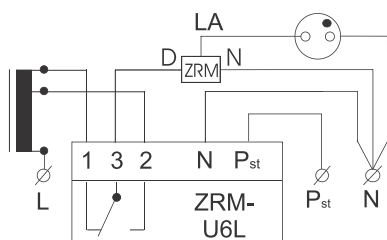
Type	ZRM U6L	
Article number		87500039 - 12301
Rated input voltage	V	220-240
Permitted input voltage	V	198-264
Supply current	mA	< 7
Mains frequency	Hz	50-60
Max. contact voltage	V~	250
Max. contact current	A~	6
Min. operating temperature	°C	-30
Max. ambient temperature ta	°C	70
Max. housing temperature tc	°C	80
Losses at reduced operating	W	< 0.9
Losses at 240V +10%	W	< 2.5
Temperature rise at ta 70 °C	K	< 8
Weigth	kg	0.185



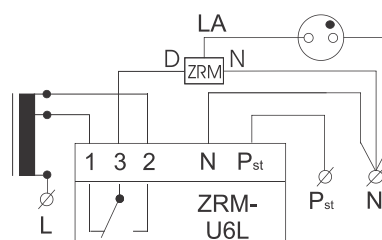
Remarks : All measurements was done at ta 70°C at 264 VAC.

Circuit examples:


Pst "on"
100% Light output



Pst "off"
50% Light output



Power reduction with
combined ballast

mat.no.:		material:			surface /aftertreatment:			
modifi.no.	modification date	name	general tolerances:		2015	date	name	
1			DATASHEET ZRM U6L		drawn			
2					approx.			
3					scale	1 : 1		
4								
5			 IGNELUX TM		drawing number		F	I
6					15004738			
7					european projection		copyright	
8					Ob železnici14, SI-2000 Maribor		according to ISO 16016	
9								