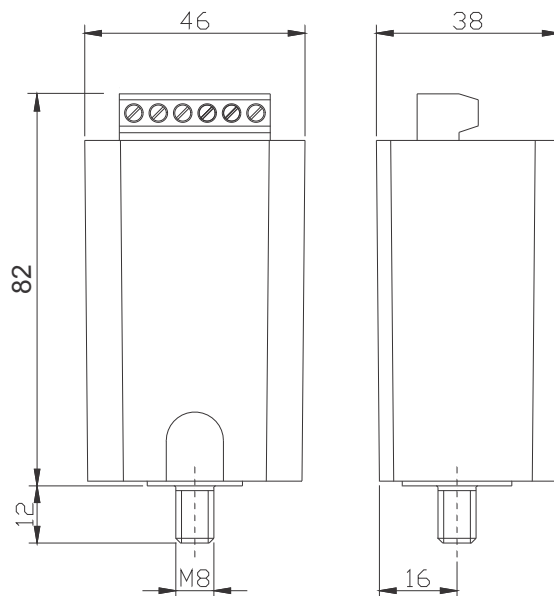
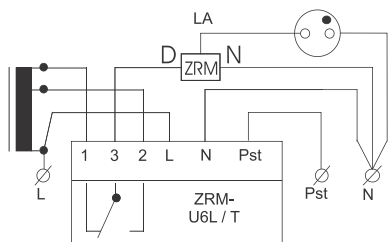


# ZRM U6L T

Type	ZRM U6L T	
Article number		87500040 - 12302
Rated input voltage	V	220-240
Permitted input voltage	V	198-264
Supply current	mA	< 9.5
Permitted control voltage (Pst)	V	198-264
Control current (Pst)	mA	< 3
Mains frequency	Hz	50-60
Max. contact voltage	V~	250
Max. contact current	A~	6
Min. operating temperature	°C	-30
Max. ambient temperature ta	°C	70
Max. housing temperature tc	°C	80
Losses at reduced operating	W	< 1.4
Losses at 240V +10%	W	< 3.2
Temperature rise at ta 70 °C	K	< 10
Weigth	kg	0.185
Max. operating cycles per minute (Pst)		3
Running up-blockade	min	5.5



Remarks : All measurements are done at TA 70°C and 264 VAC.




Powerreduction with combined ballast

## Logicchart

Power L-N	0V	0V	230V	230V
Power P <sub>st</sub> -N	0V	230V	0V	230V
Lamppower 0 - 5.5min	0W	0W	100%	100%
Lamppower after 5.5min	0W	0W	reduce	100%

The contact input P<sub>st</sub> is disabled for 5.5min after switch on.

Remarks : Different phases may be connected to input L and Pst.

mat.no.:		material:		surface /aftertreatment:					
modifi.no.	modification date	name	general tolerances:			2015	date	name	
1			<b>DATASHEET</b> ZRM U6L T			drawn			
2						approv.			
3						scale	1 : 1		
4									
5			 Ob železnici 14, SI-2000 Maribor			drawing number		F	I
6						<b>15004743</b>		4	0
7						european projection		copyright	
8						according to ISO 16016			
9									