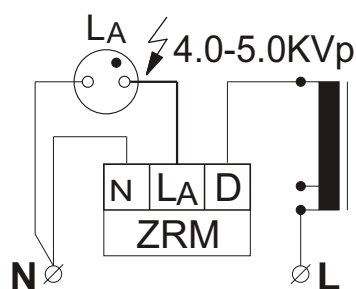
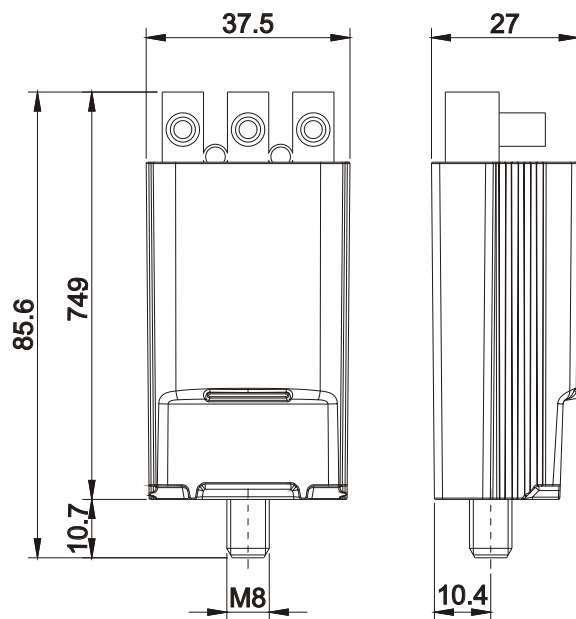



ZRM2.5-ES/C

Lampen	35W	70W	100W	150W	250W
HI/MBI	●	●	●	●	●
HS/SON*		●	●	●	●

*HS_≥4KVponly

Type	ZRM2.5-ES/C		
Articlenumber	87500081 - 12306		
Rated voltage	V	220-240	
Permittedvoltage	V	198-264	
Mainsfrequency	Hz	50-60	
Ignitionvoltage	V	4.0-5.0	
LampwattageHS	W	*70-250	
LampwattageHI	W	35-250	
Temperatureriseat	IB=0.54A(35W)	K	0.1
	IB=1.0A(70W)	K	2.5
	IB=1.2A(100W)	K	4
	IB=1.8A(150W)	K	9.5
	IB=3.0A(250W)	K	27
LossesatIB=0.54A(35W)		W	~0.06
	IB=1.0A(70W)	W	~0.21
	IB=1.2A(100W)	W	~0.31
	IB=1.8A(150W)	W	~0.72
	IB=3.0A(250W)	W	~2.10
Max.cablecapacitance	pF	100	
Max.distancefromlamp	m	1.5	
Max.housingtemperaturetc	°C	105	
Min.operatingtemperature	°C	-30	
Connection terminal - screw	mm ²	0.5 - 6	
Weight	kg	0.13	



mat.no.:		material:		surface/aftertreatment:			
modifi.no.	modificationdate	name	generaltolerances:			date	name
1			DATASHEET ZRM2.5-ES/C			drawn	
2						approv.	
3						scale	1:1
4						drawingnumber	
5					15003783		
6					europeanprojection		copyright accordingtoISO16016
7			Ob železnici 14, SI-2000 Maribor				
8							
9							