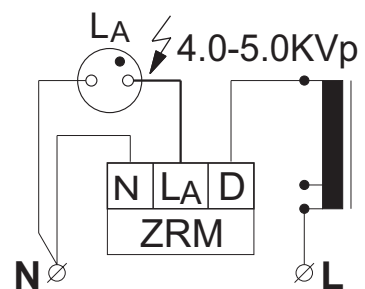
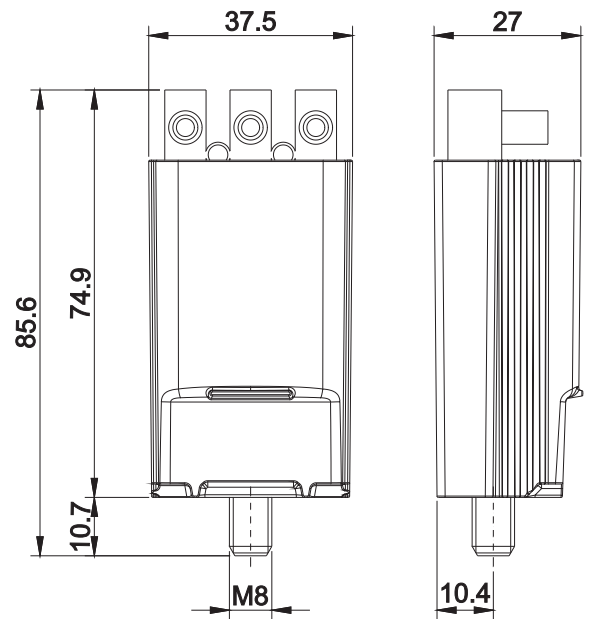




# ZRM 4.5-ES/C

Lampen	35W	70W	100W	150W	250W	400W
HI/MBI	●	●	●	●	●	●
HS/SON*		●	●	●	●	●

\*HS $\geq$ 4.5KVp only

Type	ZRM 4.5-ES/C	
Article number	87500082 - 12307	
Rated voltage	V	220-240
Permitted voltage	V	198-264
Mains frequency	Hz	50-60
Ignition voltage	V	4.0-5.0
Lamp wattage HS	W	*70-400
Lamp wattage HI	W	35-400
Temperature rise at IB = 0.54 A (35W)	K	0.1
IB = 1.0 A (70W)	K	1
IB = 1.2 A (100W)	K	2
IB = 1.8 A (150W)	K	6.5
IB = 3.0 A (250W)	K	14
IB = 4.6 A (400W)	K	~33.5
Losses at IB = 0.54 A (35W)	W	~0.03
IB = 1.0 A (70W)	W	~0.11
IB = 1.2 A (100W)	W	~0.15
IB = 1.8 A (150W)	W	~0.35
IB = 3.0 A (250W)	W	~1.0
IB = 4.6 A (400W)	W	~2.5
Max. cable capacitance	pF	100
Max. distance from lamp	m	1.5
Max. housing temperature tc	°C	105
Min. operating temperature	°C	-30
Connection terminal - screw	mm <sup>2</sup>	0.5 - 6
Weight	kg	0.13



mat.no.:		material:		surface /aftertreatment:						
modifi.no.	modification date	name	general tolerances:			2015	date	name		
1			<b>DATASHEET</b> <b>ZRM 4.5-ES/C</b>			drawn				
2						approv.				
3						scale	1 : 1			
4										
5						drawing number		F	I	
6						<b>15003784</b>				
7									copyright	
8									according to ISO 16016	
			Ob železnici 14, SI-2000 Maribor							