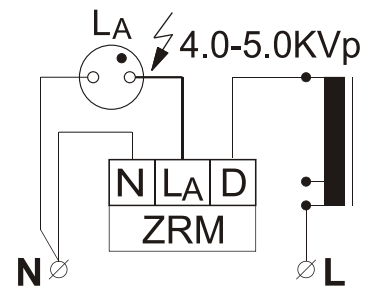
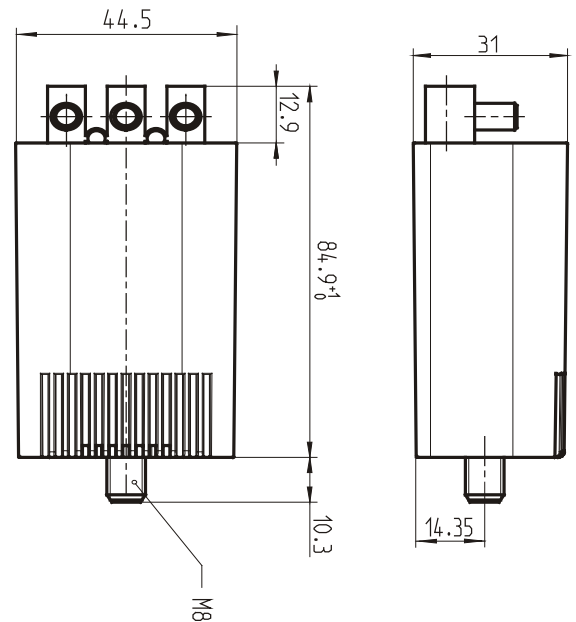



ZRM 6-ES/C

Lampen	70W	100W	150W	250W	400W	600W
HI/MBI	●	●	●	●	●	
HS/SON*	●	●	●	●	●	●

*HS 4-5KVp only

Type	ZRM 6-ES/C	
Article number	87500083 - 12308	
Rated voltage	V	220-240
Permitted input voltage	V	198-264
Mains frequency	Hz	50-60
Ignition voltage	kVp	4.0-5.0
Lamp wattage HS	W	70*600
Lamp wattage HI	W	35-400
Temperature rise at IB = 1.0A (70W)	K	1.1
IB = 1.2A (100W)	K	1.9
IB = 1.8A (100W)	K	3.7
IB = 3.0A (250W)	K	9.9
IB = 4.6A (400W)	K	22.2
IB = 6.2A (600W)	K	42.4
Losses at IB = 1.0A (70W)	W	~0.10
IB = 1.2A (100W)	W	~0.15
IB = 1.8A (150W)	W	~0.35
IB = 3.0A (250W)	W	~1.00
IB = 4.6A (400W)	W	~2.40
IB = 6.2A (600W)	W	~4.90
Max. cable capacitance	pF	100
Max. distance from lamp	m	1.5
Max. housing temperature tc	°C	105
Min. operating temperature	°C	-30
Connection terminal - screw	mm2	0.5 - 6
Weight	kg	0.210



mat.no.:		material:		surface /aftertreatment:					
modifi.no.	modification date	name	general tolerances:			2015	date	name	
1			DATASHEET ZRM 6-ES/C			drawn			
2						approv.			
3						scale	1 : 1		
4									
5			 IGNELUX TM			drawing number		F	I
6						15004480			
7						european projection		copyright	
8						Ob železnici 14, SI-2000 Maribor		according to ISO 16016	
9									