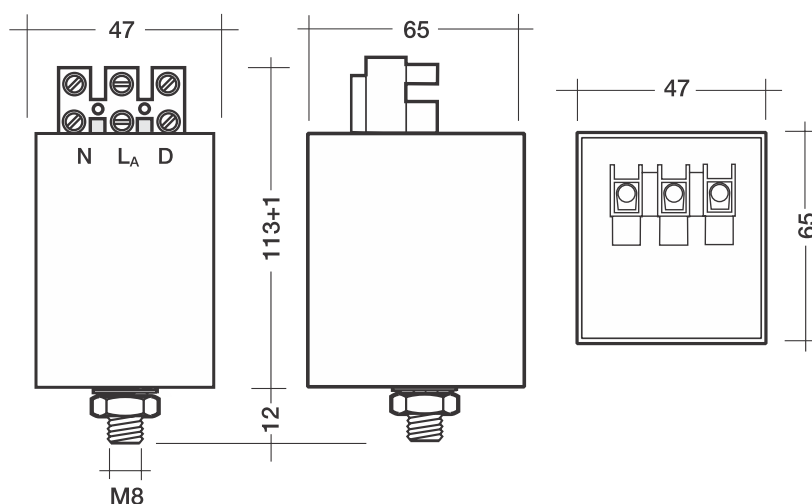


# ZRM 20-ES/B 400

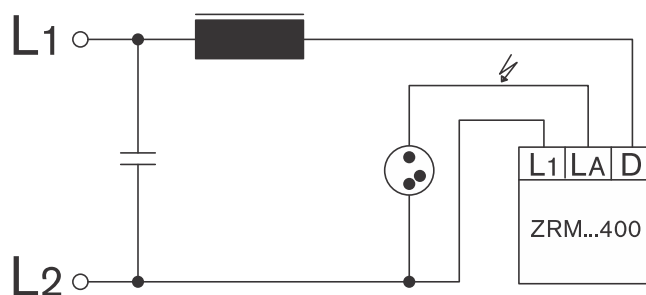
## Superimposed Pulse Ignitor



### technical specifications

nominal voltage	360 – 490 V
mains frequency	50/60 Hz
ignition voltage	5.0 – 6.5 kV
Max. permissible lamp current I <sub>b</sub>	20 A
ignition current	≈ 120 mA
self-heating at I <sub>B</sub> = 20A	≈ 36 K
losses at I <sub>B</sub> = 20A	≈ 9.2 W
puls width at 3000 V	≥ 1.0 μs
number of pulses per mains halfwave	1 – 2
distance between pulses	< 0.3 ms
Phase displacement of ignition pulses	60-90 / 240-270°el
Switch off/on voltage	320-360 V
max. capacitive load	20-100 pF
max. cable length to lamp	1.5 m
max. container temperature t <sub>a</sub>	105°C
min. ambient temperature t <sub>a</sub>	-30°C
weight	750 g



### Circuit diagram:



mat.no.:		material:		surface /aftertreatment:			
modifi.no.	modification date	name	general tolerances:		2015	date	name
1			<b>DATASHEET</b> ZRM 20-ES/B 400		drawn		
2					approv.		
3					scale	1 : 2	
4					drawing number		F
5			 Ob železnici 14, SI-2000 Maribor		european projection		copyright according to ISO 16016
6							
7							
8							
9							