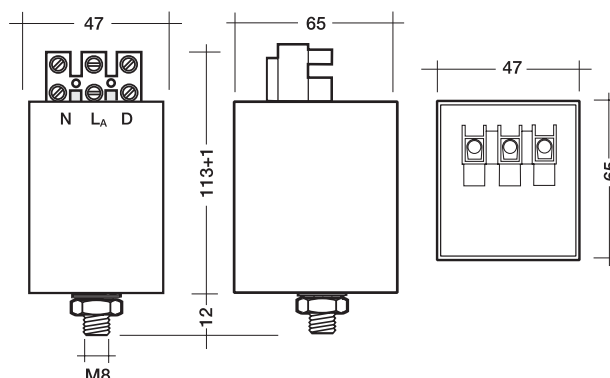


ZRM 20-ES/B

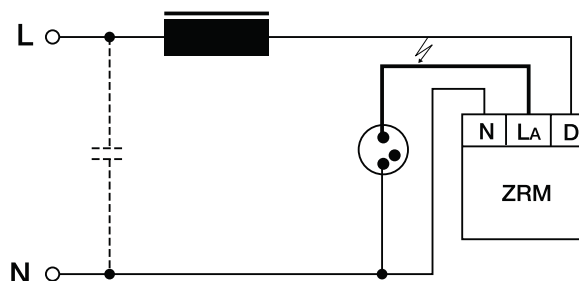
Superimposed Pulse Ignitor


technical specifications

Technical specifications	
Permitted input voltage	198 – 264 V
Mains frequency	50 / 60 Hz
Lamp wattage	1000 – 2000 W
Ignition voltage	3.5 – 5.0 kV
Max. permissible lamp current I _B	20 A
Ignition current	~ 120 mA
Self-heating at I _B = 16.2 A (2000 W)	26 K
Losses at I _B =16.2 A (2000 W)	5.9 W
Puls width at 3000V	≥ 1.0 μS
Number of pulses per mains halwave	1 - 2
Distance between pulses	< 0.3ms
Phase displacement of ignition pulses	60 – 90 / 240 -270°
Max. capacitive load	20 – 200 pF
Max. Cable lenght to lamp	3 m
Max. casing temperature t _c	105 °C
Min. ambient temperature t _a	-30 °C
Connection terminal - screw	2.5 – 10 mm ²
Weight	750 g



Circuit diagram:



mat.no.:		material:		surface /aftertreatment:				
modifi.no.	modification date	name	general tolerances:			2015	date	name
1			DATASHEET ZRM 20-ES/B			drawn		
2						approv.		
3						scale	1 : 3	
4						drawing number		F
5						european projection		copyright according to ISO 16016
6						Ob železnici 14, SI-2000 Maribor		
7								
8								
9								