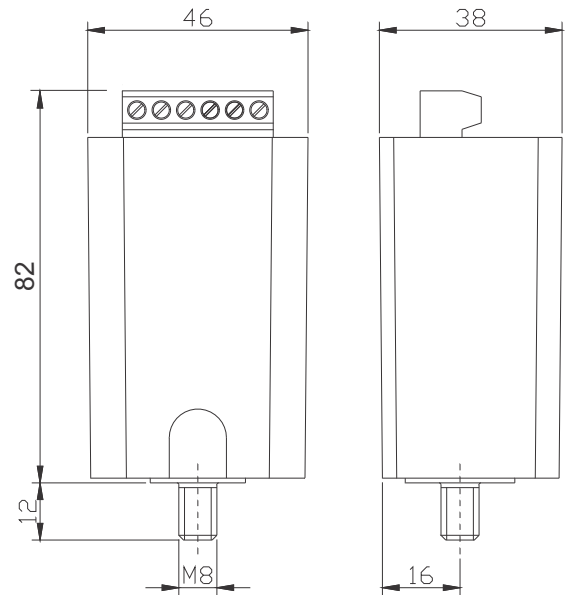
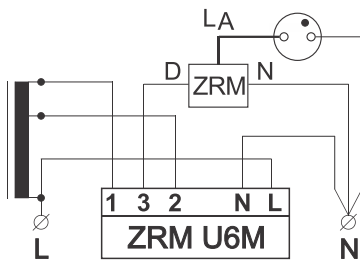




ZRM U6M A001

Type	ZRM U6M A001	
Article number		87500044 - 12324
Rated input voltage	V	220-240
Permitted input voltage	V	198-264
Mains frequency	Hz	50-60
Max. contact voltage	V~	250
Max. contact current at $\varphi=0,5$ max.	A~	6
Max. contact current at $\varphi=1,0$ max.	A~	16
Min. operating temperature	°C	-30
Max. ambient temperature t_a	°C	70
Max. housing temperature t_c	°C	80
Losses at 230VAC	W	< 2.5
Temperature rise at t_a 70 °C	K	< 10
Weigth	kg	0.185



Circuit diagram:



mat.no.:		material:			surface /aftertreatment:			
modifi.no.	modification date	name	general tolerances:		2015	date	name	
1			DATASHEET ZRM U6M A001		drawn			
2					approv.			
3					scale	1 : 1		
4								
5			 IGNELUX TM		drawing number		F	I
6					15004757			
7					european projection		copyright	
8							according to ISO 16016	
9			Ob železnici 14, SI-2000 Maribor					